

Rainmaker Select

Overhead shower 460 1jet EcoSmart 9 l/min with shower arm

Surfaces: **White/Chrome** Article Number: **24013400**

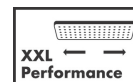


Description

product features

- shower head size: 460 x 270 mm
- shower arm length: 460 mm
- spray type: Rain
- maximum flow rate at 0.3 MPa: 9 l/min
- flow rate Rain spray (at 0.3 MPa): 9 l/min
- easy cleanable glass spray disc
- material spray disc: safety glass
- spray disc removable for cleaning
- overhead shower for cleaning removable
- installation: wall
- connection thread G 1/2
- connection dimension: DN15

Technology



Design awards

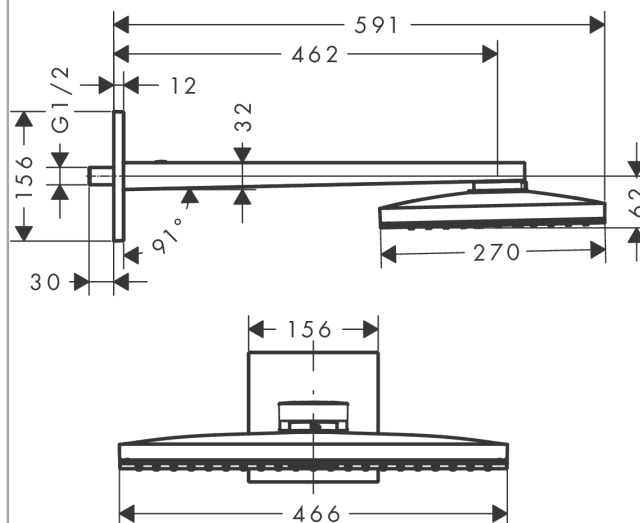


reddot award 2015
winner

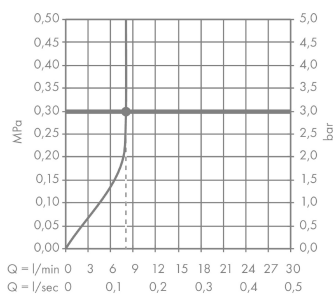
Product image



Scale drawing



Flowchart



The consumption was measured in combination with the appropriate fittings (thermostat/mixer/in-wall valve) to reflect actual application in practice.